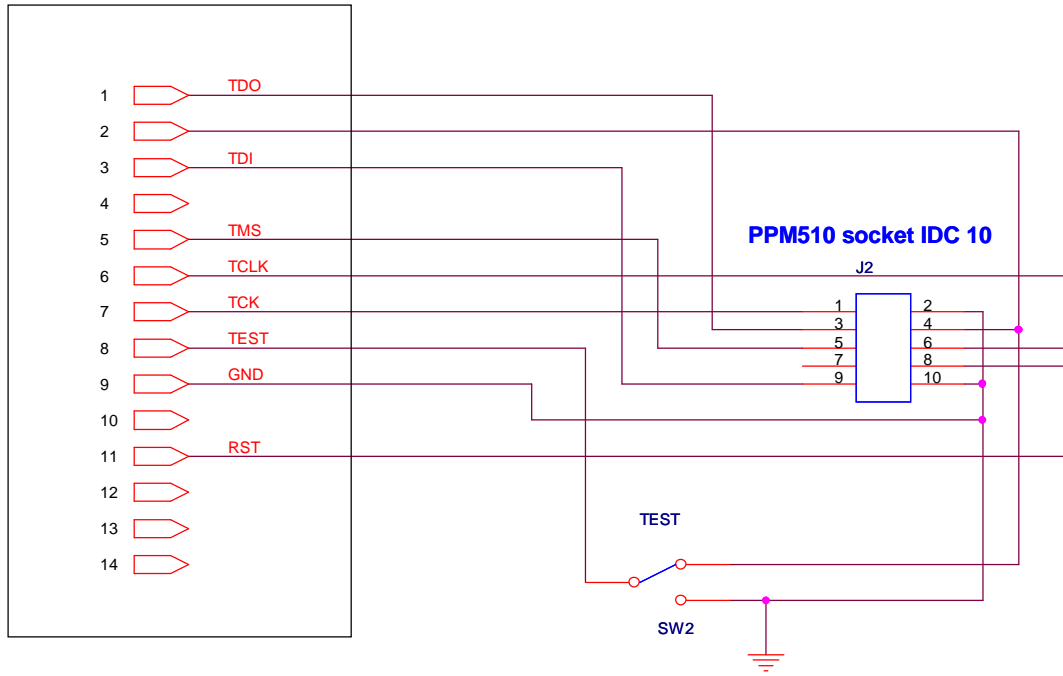


MSP430 socket IDC 14

IDC 14



Title		
MSP430 CABLE TO IDC 10 EMULATOR		
Size	Document Number	Rev
A4	<Doc>	
Date:	Thursday, November 10, 2005	Sheet 1 of 1